

SSB Valve Actuator

*24 Vac, Floating Control
Non-Spring Return*



Powermite SSB81U MZ Series
Electronic Valve Actuator.

Description

The Powermite SSB81U Electronic Valve Actuator requires a 24 Vac supply floating control signal to provide three-position control. This actuator is designed to work with Powermite MZ Series Valves with a 7/32-inch (5.5 mm) stroke and a threaded valve bonnet that fits the actuator.

Features

- UL-listed for plenum installations
- Direct-coupled installation without tools
- Close-off up to 70 psi on 1/2-inch valve
- Non-Spring Return
- Manual override
- Visual position indication
- Orderable as an actuator only or as a complete valve/actuator assembly

Applications

The Powermite SSB81U Electronic Valve Actuator is for use in heating and cooling HVAC applications with Powermite valves that need 45 lbf. (200 N) of nominal force.

A-133

Valves

SSB81U Specifications

Operating Voltage 24 Vac ±20%
 Frequency 50/60 Hz
 Power Supply Earth Ground Isolating, Class 2, 24 Vac Transformer
 Power Consumption 0.8 VA
 Running Time (60 Hz) 150 sec.
 Nominal Stroke 7/32" (5.5 mm)
 Nominal Force 45 lbf. (200 N)
 Agency Approvals UL/cUL, UL873
 CSA C22.2 No. 24-93

Ambient Temperature
 Operation 34 to 122°F (1 to 50°C)
 Transport and Storage -13 to 158°F (-25 to 70°C)

Ambient Humidity 0 to 90% RH, Non-condensing

Wiring Connection Terminal Block for Plenum Cable
 (Accessory Available for 3/8-inch Flex Conduit)

Mounting Location NEMA 1 (Interior Only)

SSB81U Product Ordering

Description	Part No.	Actuator Prefix Code
Floating	SSB81U	254

**There are no repair parts for this product.
Replace the entire actuator if inoperative.**

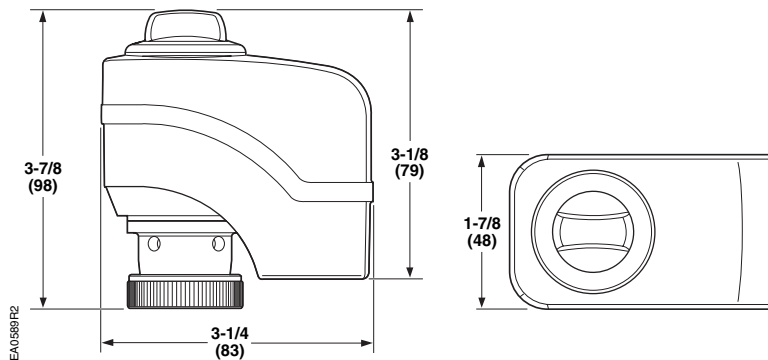
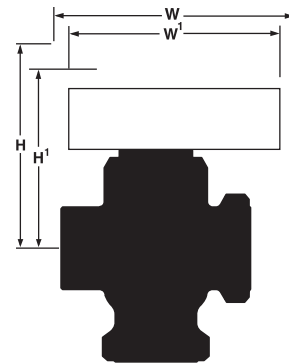
A-134

Valves

Dimensions

Valve Size in.	Center Line to Top of Actuator	Service Height	Actual Width	Service Width
	H ¹	H	W ¹	W
1/2" (15 mm)	5-1/8" (130 mm)	13-1/8" (330 mm)	3-1/4" (83 mm)	11-1/4" (282 mm)
3/4" (20 mm)	5-1/8" (130 mm)	13-1/8" (330 mm)	3-1/4" (83 mm)	11-1/4" (282 mm)
1" (25 mm)	5-3/8" (136 mm)	13-3/8" (335 mm)	3-1/4" (83 mm)	11-1/4" (282 mm)

Service height and width are the recommended dimensions to allow access to the product.



Dimensions shown in inches (mm).